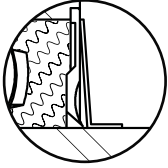


UCP200 L4L SERIES

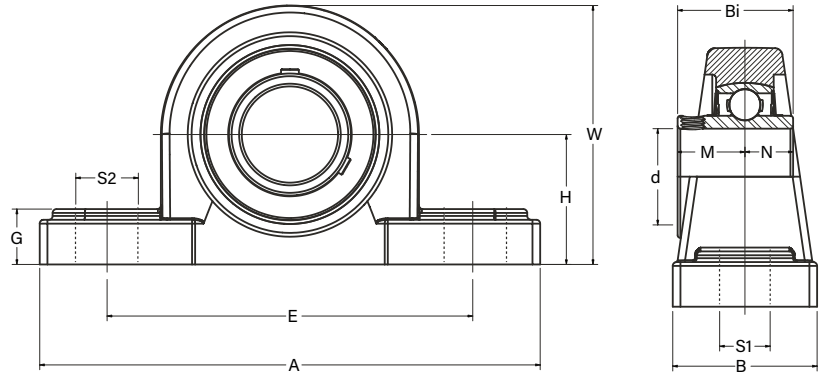
Normal-Duty Pillow Block
Setscrew Lock



Features:



Permanent Lubrication
Standard with seals and flinger



Bearing Number	Shaft Dia.	Dimensions in. mm.											Bolt Used	Load Rating lbs. kN.		Bearing Insert	Housing Number	Weight lbs. kg.																
	d in. mm.	H	A	E	B	S2	S1	G	W	Bi	N	M		in. mm.	Dy-nam-ic Cr				Static Cor															
UCWP201 L4L	12	1.188 30.2	4.92 125.0	3.75 95.0	1.26 32.0	0.71 18.0	0.43 11.0	0.55 14.0	2.24 57.0	1.0787 27.4	0.3937 10.0	0.6260 15.9	3/8 M10	2,147 9.55	1,075 4.78	UCW201 L4L	WP203 L4L	1.3 0.6																
UCWP201 8 L4L	1/2															UCW201 8 L4L																		
UCWP202 L4L	15															UCW202 L4L																		
UCWP202 10 L4L	5/8															UCW202 10 L4L																		
UCWP203 L4L	17															UCW203 L4L																		
UCP204 12 L4L	3/4	1.313 33.3	5.00 127.0	3.75 95.0	1.50 38.0	0.75 19.0	0.44 11.0	0.56 14.0	2.56 65.0	1.2205 31.0	0.5000 12.7	0.7205 18.3	3/8 M10	2,883 12.82	1,496 6.65	UC204 12 L4L	P204 L4L	1.5 0.7																
UCP204 L4L	20	1.438 36.5	5.50 140.0	4.13 105.0	1.50 38.0	0.75 19.0	0.44 11.0	0.59 15.0	2.81 71.0	1.3425 34.1	0.5630 14.3	0.7795 19.8	3/8 M10	3,155 14.04	1,810 8.05	UC205 14 L4L	P205 L4L	1.8 0.8																
UCP205 14 L4L	7/8															UC205 14 L4L																		
UCP205 15 L4L	15/16															UC205 15 L4L																		
UCP205 L4L	25															UC205 L4L																		
UCP205 16 L4L	1															UC205 16 L4L																		
UCP206 17 L4L	1 1/16	1.688 42.9	6.31 160.0	4.75 121.0	1.68 42.0	0.79 20.0	0.56 14.0	0.63 16.0	3.31 84.0	1.5000 38.1	0.6260 15.9	0.8740 22.2	1/2 M12	4,377 19.47	2,569 11.43	UC206 17 L4L	P206 L4L	2.9 1.3																
UCP206 18 L4L	1 1/8															UC206 18 L4L																		
UCP206 L4L	30															UC206 L4L																		
UCP206 19 L4L	1 3/16															UC206 19 L4L																		
UCP206 20 L4L	1 1/4															UC206 20 L4L																		
UCP207 20 L4L	1 1/4	1.875 47.6	6.56 167.0	4.96 126.0	1.88 48.0	0.79 20.0	0.59 15.0	0.68 17.0	3.68 93.0	1.6890 42.9	0.6890 17.5	1.0000 25.4	1/2 M14	5,775 25.69	3,497 15.56	UC207 20 L4L	P207 L4L	3.3 1.5																
UCP207 21 L4L	1 5/16															UC207 21 L4L																		
UCP207 22 L4L	1 3/8															UC207 22 L4L																		
UCP207 L4L	35															UC207 L4L																		
UCP207 23 L4L	1 7/16															UC207 23 L4L																		
UCP208 24 L4L	1 1/2	1.938 49.2	7.25 184.0	5.44 137.0	2.13 54.0	0.81 21.0	0.59 15.0	0.71 18.0	3.88 98.0	1.9370 49.2	0.7480 19.0	1.1890 30.2	1/2 M14	6,634 29.51	4,079 18.14	UC208 24 L4L	P208 L4L	4.2 1.9																
UCP208 25 L4L	1 9/16															UC208 25 L4L																		
UCP208 L4L	40															UC208 L4L																		
UCP209 26 L4L	1 5/8															2.125 54.0			7.50 190.0	5.75 146.0	2.13 54.0	0.79 20.0	0.59 15.0	0.79 20.0	4.18 106.0	1.9370 49.2	0.7480 19.0	1.1890 30.2	1/2 M14	7,160 31.85	4,676 20.80	UC209 26 L4L	P209 L4L	5.5 2.5
UCP209 27 L4L	1 11/16																															UC209 27 L4L		
UCP209 28 L4L	1 3/4	UC209 28 L4L																																
UCP209 L4L	45	UC209 L4L																																
UCP210 30 L4L	1 7/8	2.250 57.2	8.13 206.0	6.25 159.0	2.38 60.0	0.91 23.0	0.71 18.0	0.83 21.0	4.50 114.0	2.0315 51.6	0.7480 19.0	1.2835 32.6	5/8 M16	7,867 35.00	5,330 23.71		UC210 30 L4L	P210 L4L														5.7 2.6		
UCP210 31 L4L	1 15/16															UC210 31 L4L																		
UCP210 L4L	50															UC210 L4L																		
UCP210 32 L4L	2															UC210 32 L4L																		
UCP211 32 L4L	2															2.500 63.5	8.69 220.0		6.75 172.0	2.38 60.0	0.91 23.0	0.71 18.0	0.91 23.0	4.94 125.0	2.1890 55.6	0.8740 22.2	1.3150 33.4	5/8 M16	9,743 43.34	6,608 29.40	UC211 32 L4L		P211 L4L	7.7 3.5
UCP211 34 L4L	2 1/8	UC211 34 L4L																																
UCP211 L4L	55	UC211 L4L																																
UCP211 35 L4L	2 3/16	UC211 35 L4L																																
UCP212 36 L4L	2 1/4	2.750 69.9	9.50 241.0	7.31 186.0	2.75 70.0	0.91 23.0	0.71 18.0	0.98 25.0	5.38 137.0	2.5630 65.1	1.0000 25.4	1.5630 39.7	5/8 M16	10,720 47.69	7,516 33.43			UC212 36 L4L													P212 L4L	9.5 4.3		
UCP212 L4L	60															UC212 L4L																		
UCP212 38 L4L	2 3/8															UC212 38 L4L																		
UCP212 39 L4L	2 7/16															UC212 39 L4L																		
UCP213 40 L4L	2 1/2															3.000 76.2	11.25 286.0	8.00 203.0	3.25 83.0	1.61 41.0	0.80 20.4	1.25 32.0	5.94 151.0	2.5630 65.1	1.0000 25.4	1.5630 39.7	5/8 M18	12,859 57.20	8,994 40.01	UC213 40 L4L			PX12 L4L	11.7 5.3
UCP213 L4L	65	3.000 76.2	11.25 286.0	8.00 203.0	3.25 83.0	1.61 41.0	0.80 20.4	1.25 32.0	6.06 154.0	2.9370 74.6	1.1890 30.2	1.7480 44.4	5/8 M18	13,981 62.19	9,869 43.90	UC214 43 L4L	PX13 L4L	14.3 6.5																
UCP214 43 L4L	2 11/16															UC214 43 L4L																		
UCP214 44 L4L	2 3/4															UC214 44 L4L																		
UCP214 L4L	70															UC214 L4L																		
UCP215 47 L4L	2 15/16															3.250 82.6			10.71 272.0	8.56 217.0	2.83 72.0	1.13 28.0	0.98 25.0	1.13 28.0	6.25 159.0	3.0630 77.8	1.3110 33.3	1.7520 44.5	7/8 M20	14,974 66.61	10,757 47.85	UC215 47 L4L	P215	15.6 7.1
UCP215 L4L	75	UC215 L4L																																
UCP215 48 L4L	3	UC215 48 L4L																																

*Listed bearings will need an L4L suffix for proper ordering. Example: UCP205 16 L4L.